



Powder Metal Cutting Taps
Suitable for Super Duplex stainless steel

M-SFT-DUPLEX

Volume 5.2



50 new standard sizes available:
Metric & metric fine,
also with oil hole
New UN-8 sizes available

KEY FEATURES: M-SFT-DUPLEX



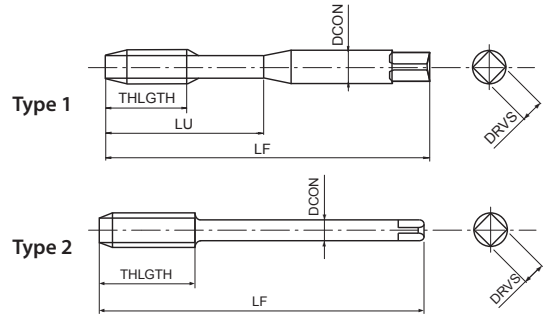
1 Improved rigidity:
optimized core diameter
more flutes than conventional item

2 Improved chip evacuation:
optimized high helix angle,
also with oil hole

3 Improved welding resistance:
TiN-coating is ideal for
SuperDuplex due to higher heat
resistance.

M-SFT-DUPLEX NEW SIZE

Threading | Cutting taps | Metric



- Powder metal spiral-fluted cutting tap for blind holes
- TIN-coating
- For stainless steels, Duplex, Super Duplex

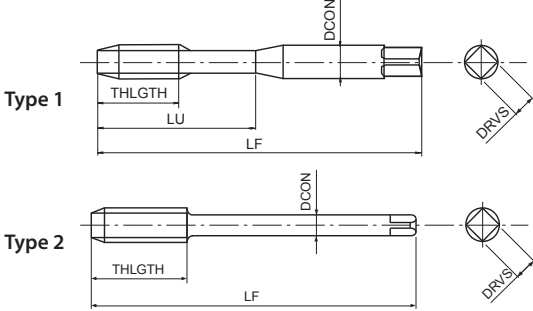
P ○ C < 0,2%	P ○ 0,25 < C < 0,4	P ○ C ≥ 0,45%	P ○ SCM	M ● INOX	S ● Inconel 625	S ● Ti Gr.2	
				3-15 Super Duplex	2-3 15-5 PH	3-6 17-4 PH	m/min
M	PM	TiN	50°	ISO 2 6HX	C/2,5		DIN 371 DIN 376

EDP	TD	TP	LF	THLGTH	LU	DCON	DRVS	NOF	Type	DIN
48336125	2	0,4	45	3,2	10	2,8	2,1	2	1	371
48336133	2,5	0,45	50	3,6	13	2,8	2,1	2	1	371
48336138	3	0,5	56	4	18	3,5	2,7	3	1	371
48336144	4	0,7	63	5,6	21	4,5	3,4	3	1	371
48336149	5	0,8	70	6,4	25	6	4,9	3	1	371
48336155	6	1	80	8	30	6	4,9	3	1	371
48336161	8	1,25	90	10	35	8	6,2	3	1	371
48336169	10	1,5	100	12	39	10	8	4	1	371
48336179	12	1,75	110	14	-	9	7	4	2	376
48336191	14	2	110	16	-	11	9	4	2	376
48336202	16	2	110	16	-	12	9	4	2	376
48336214	18	2,5	125	20	-	14	11	4	2	376
48336228	20	2,5	140	20	-	16	12	4	2	376
48336238	22	2,5	140	20	-	18	14,5	4	2	376
48336247	24	3	160	24	-	18	14,5	4	2	376

Threading | Cutting taps
Metric

M-OIL-SFT-DUPLEX NEW

Threading | Cutting taps | Metric



- Powder metal spiral-fluted cutting tap for blind holes
- TIN-coating
- For stainless steels, Duplex, Super Duplex
- Centre through coolant

Threading | Cutting taps

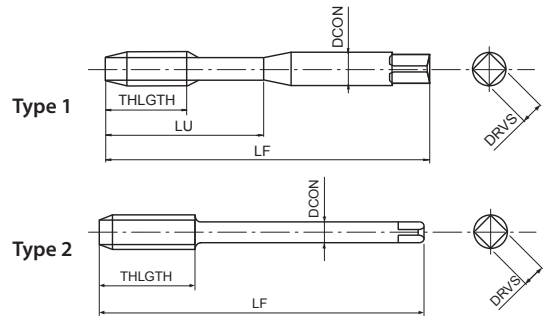
P C < 0,2%	P 0,25 < C < 0,4	P C ≥ 0,45%	P SCM	M INOX	S Inconel 625	S Ti Gr.2	
				3-15 Super Duplex	2-3 15-5 PH	3-6 17-4 PH	m/min
M	PM	TiN	50°	ISO 2 6HX	C/2,5		
						DIN 371	DIN 376

EDP	TD	TP	LF	THLGTH	LU	DCON	DRVS	NOF	Type	DIN
48380155	6	1	80	8	30	6	4,9	3	1	371
48380161	8	1,25	90	10	35	8	6,2	3	1	371
48380169	10	1,5	100	12	39	10	8	4	1	371
48380179	12	1,75	110	14	-	9	7	4	2	376
48380191	14	2	110	16	-	11	9	4	2	376
48380202	16	2	110	16	-	12	9	4	2	376
48380214	18	2,5	125	20	-	14	11	4	2	376
48380228	20	2,5	140	20	-	16	12	4	2	376
48380238	22	2,5	140	20	-	18	14,5	4	2	376
48380247	24	3	160	24	-	18	14,5	4	2	376

Metric

M-LT-SFT-DUPLEX NEW

Threading | Cutting taps | Metric



- Powder metal spiral-fluted cutting tap for blind holes
- TiN-coating
- For stainless steels, Duplex, Super Duplex
- With long shank for deep reach threading, up to 3D

P	P	P	P	M	S	S	m/min
C < 0,2%	0,25 < C < 0,4	C ≥ 0,45%	SCM	INOX	Inconel 625	Ti Gr.2	
				3-15 Super Duplex	2-3 15-5 PH	3-6 17-4 PH	
M	PM	TiN	50°	ISO 2 6HX	C/2,5		

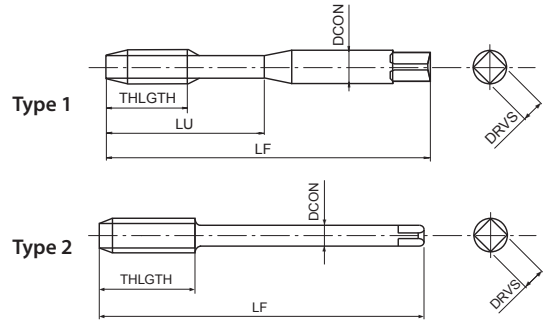
EDP	TD	TP	LF	THLGTH	LU	DCON	DRVS	NOF	Type
48381125	2	0,4	80	3,2	12	2,8	2,1	2	1
48381133	2,5	0,45	100	3,6	15,5	2,8	2,1	2	1
48381138	3	0,5	100	4	21	3,5	2,7	3	1
48381144	4	0,7	125	5,6	25	4,5	3,4	3	1
48381149	5	0,8	160	6,4	30	6	4,9	3	1
48381155	6	1	160	8	36	6	4,9	3	1
48381187	6	1	160	8	-	4,5	3,4	3	2
48381161	8	1,25	180	10	43	8	6,2	3	1
48381188	8	1,25	180	10	-	6	4,9	3	2
48381169	10	1,5	200	12	49	10	8	4	1
48381189	10	1,5	200	12	-	7	5,5	4	2
48381179	12	1,75	200	14	-	9	7	4	2
48381191	14	2	200	16	-	11	9	4	2
48381202	16	2	200	16	-	12	9	4	2
48381214	18	2,5	200	20	-	14	11	4	2
48381228	20	2,5	200	20	-	16	12	4	2

Threading | Cutting taps



M-SFT-DUPLEX NEW SIZES

Threading | Cutting taps | UNC, UN



- Powder metal spiral-fluted cutting tap for blind holes
- TIN-coating
- For stainless steels, Duplex, Super Duplex

Threading | Cutting taps

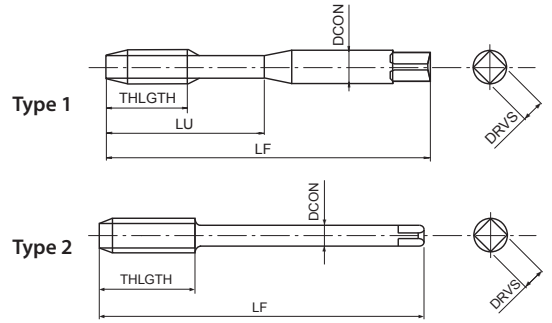
P ○ C < 0,2%	P ○ 0,25 < C < 0,4	P ○ C ≥ 0,45%	P ○ SCM	M ● INOX	S ● Inconel 625	S ● Ti Gr.2	
				3-15 Super Duplex	2-3 15-5 PH	3-6 17-4 PH	m/min
UNC	PM	TiN	50°	ANSI 2BX	C/2,5	DIN 2184-1	DIN 2184-1

EDP	TD	TP	LF	THLGTH	LU	DCON	DRVS	NOF	Type	DIN
48336453	2	56	45	3,6	11	2,8	2,1	2	1	2184-1
48336455	3	48	50	3,6	13	2,8	2,1	2	1	2184-1
48336457	4	40	56	5,1	18	3,5	2,7	2	1	2184-1
48336459	5	40	56	5,1	18	3,5	2,7	2	1	2184-1
48336461	6	32	56	6,4	20	4	3	2	1	2184-1
48336464	8	32	63	6,4	21	4,5	3,4	2	1	2184-1
48336466	10	24	70	8,5	25	6	4,9	2	1	2184-1
48336468	12	24	80	8,5	30	6	4,9	2	1	2184-1
48336471	1/4	20	80	10,2	30	7	5,5	3	1	2184-1
48336474	5/16	18	90	11,3	35	8	6,2	3	1	2184-1
48336479	3/8	16	100	12,7	39	10	8	4	1	2184-1
48336484	7/16	14	100	14,5	-	8	6,2	4	2	2184-1
48336489	1/2	13	110	15,6	-	9	7	4	2	2184-1
48336494	9/16	12	110	16,9	-	11	9	4	2	2184-1
48336501	5/8	11	110	18,5	-	12	9	4	2	2184-1
48336515	3/4	10	125	25,4	-	14	11	4	2	2184-1
48336526	7/8	9	140	28,2	-	18	14,5	4	2	2184-1
48336538	1	8	160	31,8	-	18	14,5	4	2	2184-1
48336552 <small>NEW</small>	1 1/8	8	180	29	-	22	18	5	2	2184-1
48336565 <small>NEW</small>	1 1/4	8	180	29	-	22	18	5	2	2184-1
48336578 <small>NEW</small>	1 3/8	8	200	33,9	-	28	22	5	2	2184-1
48336592 <small>NEW</small>	1 1/2	8	200	34	-	28	22	5	2	2184-1
48336605 <small>NEW</small>	1 5/8	8	200	33,9	-	32	24	5	2	2184-1
48336618 <small>NEW</small>	1 3/4	8	200	40,6	-	36	29	5	2	2184-1
48336628 <small>NEW</small>	1 7/8	8	225	40,6	-	36	29	5	2	2184-1
48336639 <small>NEW</small>	2	8	225	45,2	-	40	32	5	2	2184-1

UNC, UN

M-SFT-DUPLEX

Threading | Cutting taps | UNJC



- Powder metal spiral-fluted cutting tap for blind holes
- TiN-coating
- For stainless steels, Duplex, Super Duplex

Threading | Cutting taps

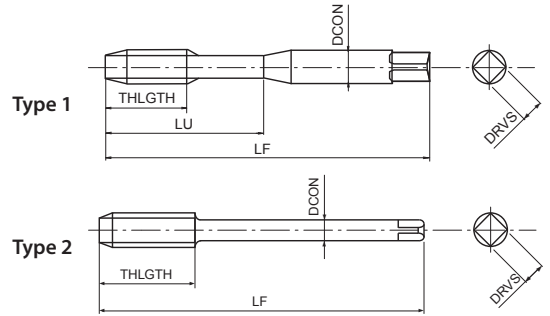
P ○ C < 0,2%	P ○ 0,25 < C < 0,4	P ○ C ≥ 0,45%	P ○ SCM	M ● INOX	S ● Inconel 625	S ● Ti Gr.2	
				3-15 Super Duplex	2-3 15-5 PH	3-6 17-4 PH	m/min
UNJC	PM	TiN	50°	ANSI 3BX	C/2,5	DIN 2184-1	DIN 2184-1

EDP	TD	TP	LF	THLGTH	LU	DCON	DRVS	NOF	Type	DIN
48373457	4	40	56	5,1	18	3,5	2,7	2	1	DIN2184-1
48373461	6	32	56	6,4	20	4	3	2	1	DIN2184-1
48373464	8	32	63	6,4	21	4,5	3,4	2	1	DIN2184-1
48373466	10	24	70	8,5	25	6	4,9	2	1	DIN2184-1
48373468	12	24	80	8,5	30	6	4,9	2	1	DIN2184-1
48373471	1/4	20	80	10,2	30	7	5,5	3	1	DIN2184-1
48373474	5/16	18	90	11,3	35	8	6,2	3	1	DIN2184-1
48373479	3/8	16	100	12,7	39	10	8	4	1	DIN2184-1
48373484	7/16	14	100	14,5	-	8	6,2	4	2	DIN2184-1
48373489	1/2	13	110	15,6	-	9	7	4	2	DIN2184-1
48373494	9/16	12	110	16,9	-	11	9	4	2	DIN2184-1
48373501	5/8	11	110	18,5	-	12	9	4	2	DIN2184-1
48373515	3/4	10	125	25,4	-	14	11	4	2	DIN2184-1
48373526	7/8	9	140	28,2	-	18	14,5	4	2	DIN2184-1
48373538	1	8	160	31,8	-	18	14,5	4	2	DIN2184-1

UNJC

M-SFT-DUPLEX

Threading | Cutting taps | UNJF



- Powder metal spiral-fluted cutting tap for blind holes
- TiN-coating
- For stainless steels, Duplex, Super Duplex

P ○ C < 0,2%	P ○ 0,25 < C < 0,4	P ○ C ≥ 0,45%	P ○ SCM	M ● INOX	S ● Inconel 625	S ● Ti Gr.2		
				3-15 Super Duplex	2-3 15-5 PH	3-6 17-4 PH	m/min	
UNJF	PM	TiN	50°	ANSI 3BX	C/2,5		DIN 2184-1	DIN 2184-1

EDP	TD	TP	LF	THLGTH	LU	DCON	DRVS	NOF	Type	DIN
48373458	4	48	56	5,1	18	3,5	2,7	2	1	DIN2184-1
48373462	6	40	56	6,4	20	4	3	2	1	DIN2184-1
48373465	8	36	63	6,4	21	4,5	3,4	2	1	DIN2184-1
48373467	10	32	70	8,5	25	6	4,9	2	1	DIN2184-1
48373469	12	28	80	8,5	30	6	4,9	2	1	DIN2184-1
48373472	1/4	28	80	10,2	30	7	5,5	3	1	DIN2184-1
48373476	5/16	24	90	11,3	35	8	6,2	3	1	DIN2184-1
48373481	3/8	24	90	12,7	35	10	8	4	1	DIN2184-1
48373486	7/16	20	100	14,5	-	8	6,2	4	2	DIN2184-1
48373491	1/2	20	100	15,6	-	9	7	4	2	DIN2184-1
48373496	9/16	18	100	16,9	-	11	9	4	2	DIN2184-1
48373504	5/8	18	100	18,5	-	12	9	4	2	DIN2184-1
48373517	3/4	16	110	25,4	-	14	11	4	2	DIN2184-1
48373528	7/8	14	125	28,2	-	18	14,5	4	2	DIN2184-1
48373539	1	12	140	31,8	-	18	14,5	4	2	DIN2184-1

Threading | Cutting taps

UNJF





www.osgeurope.com



SWEDEN

Branch office of OSG SCANDINAVIA
Singelgatan 7
212 28 Malmö
Sweden
Tel: +46 40 41 22 55
osg@osg-scandinavia.com

OSG SCANDINAVIA

(For Scandinavian countries)
Langebjergvaenget 16
4000 Roskilde
Denmark
Tel: +45 46 75 65 55
osg@osg-scandinavia.com

OSG NETHERLANDS

Bedrijfsweg 5
3481 MG Harmelen
The Netherlands
Tel: +31 348 44 2764
info@osg-nl.com

OSG UK

Kelsey Close, Attleborough Fields Ind Est,
CV11 6RS, Nuneaton
United Kingdom
Tel: +44 (0) 1827 720 013
uk_sales@osg-uk.com

OSG EUROPE LOGISTICS

Avenue Lavoisier 1
B-1300 Z.I. Wavre - Nord
Belgium
Tel: +32 10 23 05 07
info@osgeurope.com

OSG BELUX

Avenue Lavoisier 1
B-1300 Z.I. Wavre - Nord
Belgium
Tel: +32 10 23 05 11
info@osg-belgium.com

OSG IBÉRICA

Bekolarra 4
E - 01010 Vitoria-Gasteiz
Spain
Tel: +34 945 242 400
osg.iberica@osg-ib.com

OSG FRANCE

Parc Icade, Paris Nord 2
Immeuble "Le Rimbaud"
22 Avenue des Nations
CS66191 - 93420 Villepinte
France
Tel: +33 1 49 90 10 10
sales@osg-france.com

OSG ITALY

Via Ferrero, 65 A/B
I - 10098 Rivoli
Italy
Tel: +39 0117705211
info@osg-italia.it



OSG IN EUROPE

CZECH REPUBLIC, SLOVAKIA, HUNGARY

OSG Europe Logistics S.A.
Slovakia, organizačná zložka
Račianska 22/A, Bratislava 831 02
Slovakia
Tel.: +421 24 32 91 295
info@osgeurope.com

OSG POLAND

ul. Spółdzielcza 57
05-074 Halinów
Polska
Tel: +22 760 82 71
Mob. +48 570 677 711
osg@osg-poland.com

OSG ROMANIA SRL

25C, Bucuresti-Magurele Street (Sector 5)
051431 Bucuresti
România
Tel: +40 21 322 07 47
info@osgromania.ro

OSG TURKEY

Rami Kişla Cad.No:56 Eyüp
Istanbul 34056
Turkey
Tel: +90 212 565 24 00
Fax: +90 212 565 44 00
info@osg-turkey.com

Vischer & Bolli AG

Machining and Workholding
Im Schossacher 17
CH-8600 Dübendorf
Switzerland
Tel.: +41 44 802 15 15
info@vb-tools.com

OSG GERMANY

Karl-Ehmann-Str. 25
D - 73037 Göppingen
Germany
Tel: +49 7161 6064 - 0
Fax: +49 7161 6064 - 444
info@osg-germany.de

**OSG EUROPE LOGISTICS**

Avenue Lavoisier 1
B-1300 Z.I. Wavre - Nord - Belgium
Tel: +32 10 23 05 07
info@osgeurope.com

OSG POLAND Sp. z o.o.

Spółdzielcza 57
05-074 Halinów - Poland
Tel: +22 760 82 71
osg@osg-poland.com

OSG ROMANIA SRL

25C, Bucuresti-Magurele Street (Sector 5)
051431 Bucuresti - România
Tel: +40 21 322 07 47
info@osgromania.ro

OSG BELUX

Avenue Lavoisier 1
B-1300 Z.I. Wavre - Nord - Belgium
Tel: +32 10 23 05 11
info@osg-belgium.com

OSG GERMANY

Karl-Ehmann-Str. 25
D - 73037 Göppingen - Germany
Tel: +49 7161 6064 - 0
Fax: +49 7161 6064 - 444
info@osg-germany.de

AUSTRIA

Branch office of OSG GERMANY
Messestraße 11
A-6850 Dornbirn
Tel: +49 7161 6064-0
info@osg-germany.de

OSG FRANCE

Parc Icade, Paris Nord 2
Immeuble "Le Rimbaud"
22 Avenue des Nations
CS66191 - 93420 Villepinte - France
Tel: +33 1 49 90 10 10
sales@osg-france.com

OSG SCANDINAVIA

(For Scandinavian countries)
Langebjergvaenget 16
4000 Roskilde - Denmark
Tel: +45 46 75 65 55
osg@osg-scandinavia.com

OSG ITALIA

Via Ferrero, 65 A/B3
I - 10098 Rivoli - Italy
Tel: +39 0117705211
info@osg-italia.it

OSG NETHERLANDS

Bedrijfsweg 5 - 3481 MG Harmelen
Tel: +31 348 44 2764
info@osg-nl.com

SWEDEN

Branch office of OSG SCANDINAVIA
Singelgatan 7
212 28 Malmö - Sweden
Tel: +46 40 41 22 55
osg@osg-scandinavia.com

Vischer & Bolli AG

Machining and Workholding
Im Schossacher 17
CH-8600 Dübendorf
T +41 44 802 15 15
info@vb-tools.com

OSG UK

Kelsey Close, Attleborough Fields Ind Est,
CV11 6RS, Nuneaton, United Kingdom.
Tel: +44 1827 720 013
uk_sales@osg-uk.com

OSG IBERICA

Bekolarra 4
E - 01010 Vitoria-Gasteiz - Spain
Tel: +34 945 242 400
osg.iberica@osg-ib.com

CZECH, SLOVAKIA, HUNGARY

OSG Europe Logistics S.A.
Slovakia organizacna zlozka
Racianská 22/A, SK-83102 Bratislava
Slovakia
Tel. +421 24 32 91 295
Orders-osgsvk@osgeurope.com

OSG TURKEY

Rami Kışla Cad.No:56 Eyüp
Istanbul 34056 - Turkey
Tel+90 212 565 24 00
Fax: +90 212 565 44 00
info@osg-turkey.com

OSG EUROPE LOGISTICS S.A.

10/2024 - All rights reserved. © OSG Europe 2024.

The contents of this catalogue are provided to you for viewing only. They are not intended for reproduction either in part or in whole in this or other medium. They cannot be copied, used to create derivation work or used for any reason, by means without the express, written permission of the copyright owner. If prices are stated, they are netto unit-prices and any eventual tax(es) have to be added. The company is not responsible for any printing error in technical, price and/or any other data.

Tool specifications subject to change without notice.

www.osgeurope.com

